

# PM 1/2 E6 C

## PRISM Tap Range Prism Basin Taps Eco6 Chrome



### Specification

<b>Product Type:</b>	Bathroom Taps
<b>Main Construction Material:</b>	Brass
<b>Mount Type:</b>	Deck Mounted
<b>Handle Type:</b>	Lever handle
<b>Connection Inlet:</b>	1/2" BSP
<b>Connection Outlet:</b>	M24 Flow Straightener
<b>Number of Tap Holes:</b>	2
<b>Valve/Cartridge Type:</b>	1/2" Ceramic Disc Valve
<b>Plumbing System Requirements:</b>	Suitable for all plumbing systems
<b>Minimum Dynamic Pressure:</b>	0.2 bar
<b>Maximum Dynamic Pressure:</b>	5.0 bar
<b>Maximum Hot Water Temperature: °C</b>	65
<b>Maximum Static Pressure: (bar)</b>	10
<b>Flow Type:</b>	Single Flow
<b>Isolation Included:</b>	No

### Features:

- Supplied with metal handles
- Product supplied with 2 x 3 litre per minute flow regulators which can be inserted into the threaded tail to reduce water consumption and increase water efficiency (Flow Regulator accurate +/- 10%)

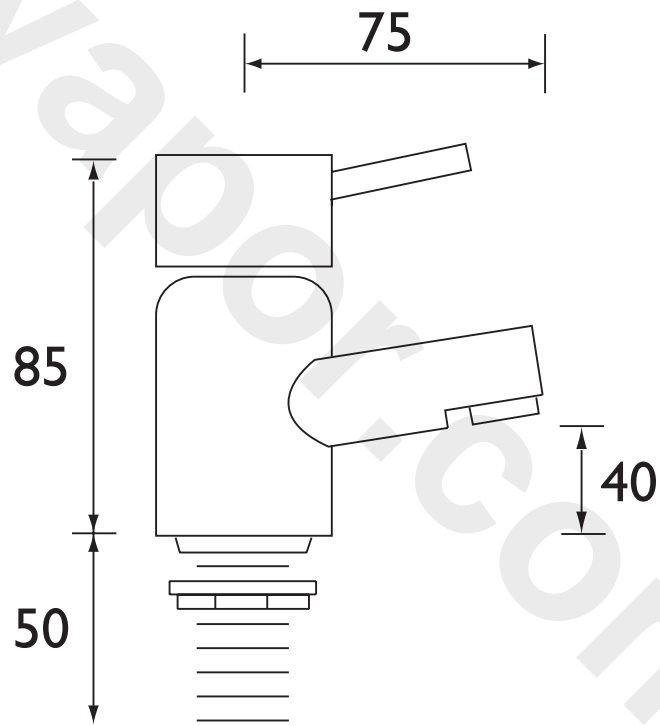
### Product Certifications:



For more products, visit our website:  
<http://www.bristan.com>



### Dimensions (measurements in mm)



### Flow Rates (l/min)

System Pressure (bar)	0.2	0.5	1	2	3	5
PM 1/2 E6 C	6	6	6	6	6	6

TECHNICAL  
DATA  
SHEET



**BRISTAN**

D5